

**MODEL UA844SWB ANTENNA DISTRIBUTION SYSTEM  
RÉPARTITEUR D'ANTENNE MODÈLE UA844SWB  
ANTENNENVERTEILERSYSTEM MODELL UA844SWB  
SISTEMA DE DISTRIBUCION DE ANTENAS MODELO UA844SWB  
SISTEMA DI DISTRIBUZIONE AD ANTENNE MODELLO UA844SWB  
MODELO UA844SWB SISTEMA DA DISTRIBUIÇÃO DA ANTENAS  
モデル UA844SWB アンテナ分配システム**



## MODEL UA844SWB ANTENNA DISTRIBUTION SYSTEM

The Shure Model UA844SWB is a UHF antenna distribution system that allows the expansion of wireless microphone systems by splitting one pair of antennas to multiple receivers. It also amplifies RF signals to compensate for insertion loss that results from splitting signal power to multiple outputs. A single UA844SWB system can support up to four wireless receivers. A maximum of five UA844SWB systems may be used in a two-tiered configuration. Refer to the illustration on page 11.

### SYSTEM COMPONENTS

- Front-mounting antenna hardware
- Rack-mounting hardware
- External power supply
- Antenna cables for receiver connections
- DC power cables for receiver connections

### SPECIFICATIONS

#### Carrier Frequency Range

470-952 MHz

#### Distributed RF Output Level (Gain)

-0.5 to 3 dB, 1 dB typical, from antenna input (unused ports terminated with 50  $\Omega$ )

#### Output Connector Isolation

30 dB, typical

#### Third Order Intercept Point (3 OIP)

21 dBm, typical

#### DC Input Voltage

14 to 18 Vdc

#### DC Output Voltage

14 to 18 Vdc, 4 connectors

#### Maximum Current Supply from DC Outputs

1.5 Amps

#### DC Antenna Voltage

12 Vdc

#### Impedance

50  $\Omega$

#### RF Input/Output Antenna Connector Type

BNC

#### Operating Temperature Range

-7°C to 49°C (20° to 120° F)

#### Overall Dimensions

44.5 mm H x 482.6 mm W x 171.5 mm D (1.75 x 19 x 6.75 in.)

#### Net Weight

1.62 Kg (3.6 lbs)

### Certification

UA844SWB: Authorized under the Declaration of Conformity provision of FCC Part 15. Certified under Industry Canada to RSS-123 (IC: 616A-UA844SWB). Conforms to European ETSI standards EN 301 489, Parts 1 and 9. Meets the essential requirements of the European R&TTE Directive 99/5/EC; eligible to carry the CE marking. Conforms to European Regulation (EC) No. 1275/2008, as amended.

PS45US: Conforms to safety standard IEC 60065.

PS45E: Conforms to safety standard IEC 60065.

PS45UK: Conforms to safety standard IEC 60065.

## OPTIONAL ACCESSORIES

Line Amplifier (470-900 MHz).....	UA830WB
Line Amplifier (470-698 MHz).....	UA830USTV
Line Amplifier (944-952 MHz).....	UA830X
Powered Directional Antenna (470-900 MHz).....	UA870WB
Powered Directional Antenna (470-698 MHz).....	UA870USTV
Powered Directional Antenna (944-952 MHz).....	UA870X
1/2 Wave Antenna (774-862 MHz).....	UA820A
1/2 Wave Antenna (690-746 MHz).....	UA820B
1/2 Wave Antenna (554-590 MHz).....	UA820D
1/2 Wave Antenna (470-530 MHz).....	UA820G
1/2 Wave Antenna (518-578 MHz).....	UA820H4
1/2 Wave Antenna (944-952 MHz).....	UA820X
2 ft. BNC-BNC Cable.....	UA802
6 ft. BNC-BNC Cable.....	UA806
25 ft. BNC-BNC Cable.....	UA825
50 ft. BNC-BNC Cable.....	UA850
100 ft. BNC-BNC Cable.....	UA8100

### REPLACEMENT PARTS

Hardware Kit.....	90XN1371
Bulkhead Adapters.....	95A8994
Power Cables for SLX Receivers.....	95B8373
Power Cables for ULX Receivers.....	95B8420
Power Supply.....	PS45US
Power Supply.....	PS45E
Power Supply.....	PS45UK

### LICENSING INFORMATION

Note that a ministerial license to operate this equipment may be required in certain areas. Consult your national authority for possible requirements.

Changes or modifications not expressly approved by Shure Incorporated could void your authority to operate the equipment. Licensing of Shure wireless microphone equipment is the user's responsibility, and licensability depends on the user's classification and application, and on the selected frequency. Shure strongly urges the user to contact the appropriate telecommunications authority concerning proper licensing, and before choosing and ordering frequencies.

**IMPORTANT: THIS RADIO EQUIPMENT IS INTENDED FOR USE IN PROFESSIONAL ENTERTAINMENT (CLASS I) AND SIMILAR APPLICATIONS.**

**NOTE: THIS EQUIPMENT MAY BE CAPABLE OF OPERATING ON SOME FREQUENCIES NOT AUTHORIZED IN YOUR REGION. PLEASE CONTACT YOUR NATIONAL AUTHORITY TO OBTAIN INFORMATION ON AUTHORIZED FREQUENCIES FOR WIRELESS MICROPHONE PRODUCTS IN YOUR REGION.**

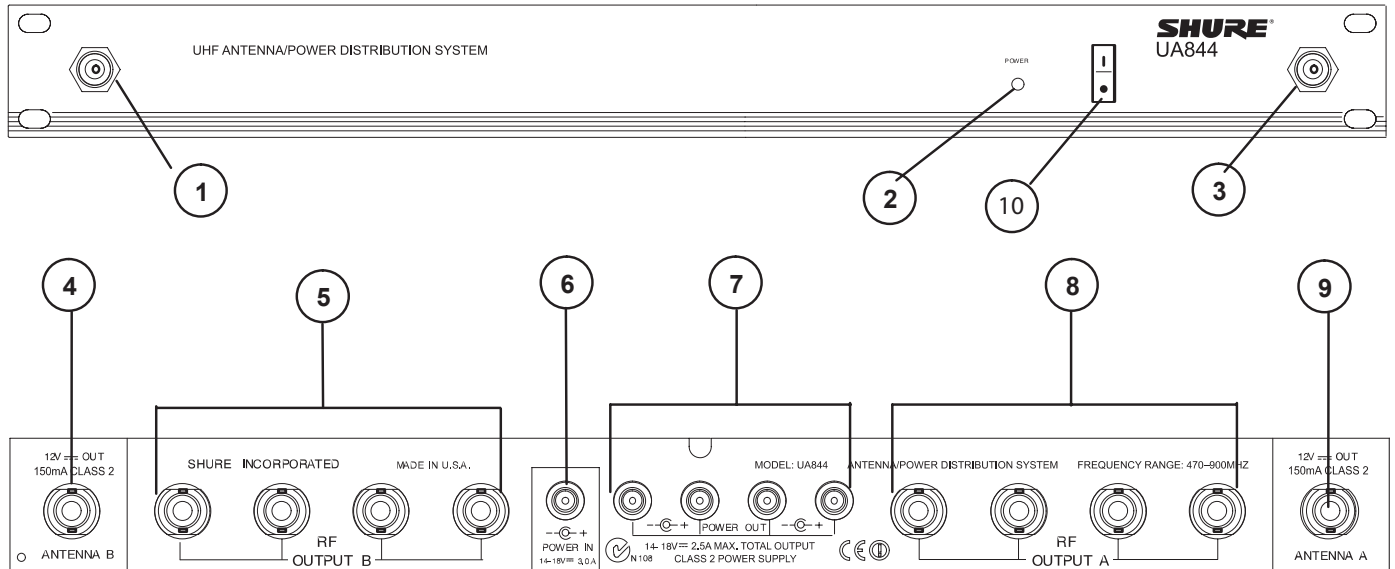
The CE Declaration of Conformity can be obtained from Shure Incorporated or any of its European representatives. For contact information please visit [www.shure.com](http://www.shure.com)

The CE Declaration of Conformity can be obtained from: [www.shure.com/europe/compliance](http://www.shure.com/europe/compliance)

Authorized European representative:

Shure Europe GmbH  
Headquarters Europe, Middle East & Africa  
Department: EMEA Approval  
Wannenacker Str. 28  
D-74078 Heilbronn, Germany  
Phone: +49 7131 72 14 0  
Fax: +49 7131 72 14 14  
Email: [EMEAsupport@shure.de](mailto:EMEAsupport@shure.de)

フロントおよびリアパネル



- |                              |                                      |                                     |
|------------------------------|--------------------------------------|-------------------------------------|
| 1. Antenna A Connector       | 1. Connecteur ANTENNE A              | 1. ANTENNE-Anschlüsse A             |
| 2. Power Indicator           | 2. Temoin d'alimentation             | 2. Betriebsanzeige                  |
| 3. Antenna B Connector       | 3. Connecteur ANTENNE B              | 3. ANTENNE-Anschlüsse B             |
| 4. RF Input, Antenna B       | 4. Connecteur RF ENTREE, Antenne B   | 4. HF-EINGANG-Anschlüsse, ANTENNE B |
| 5. RF Output B Connectors    | 5. Connecteurs RF SORTIE B           | 5. HF-AUSGANG-Anschlüsse B          |
| 6. 14 to 18 Vdc Power Input  | 6. Connecteurs ENTREE 14 à 18 V c.c. | 6. 14-18 Vdc EIN                    |
| 7. 14 to 18 Vdc Power Output | 7. Connecteurs SORTIE 14 à 18 V c.c. | 7. 14-18 Vdc AUS                    |
| 8. RF Output A Connectors    | 8. Connecteurs RF SORTIE A           | 8. HF-AUSGANG-Anschlüsse A          |
| 9. RF Input, Antenna A       | 9. Connecteur RF ENTREE, Antenne A   | 9. HF-EINGANG-Anschlüsse ANTENNE A  |
| 10. Power Switch             | 10. Interrupteur d'alimentation      | 10. An/Aus-Schalter                 |
| Note: Country dependent      | Note: Selon le pays                  | Hinweis: Länderspezifisch           |

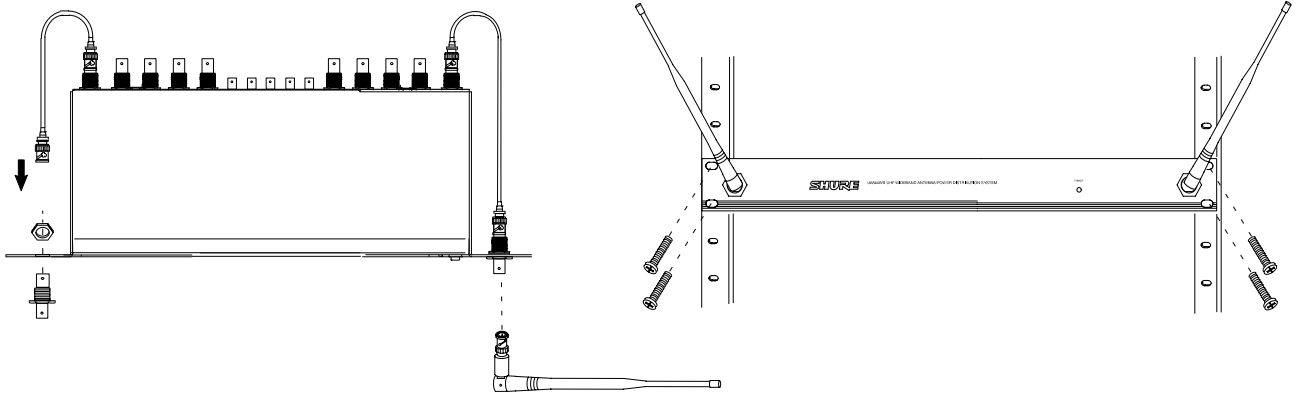
1. Conector de antena A
  2. Indicador de encendido
  3. Conector de antena B
  4. Entrada RF, antena B
  5. Salida RF B
  6. Entrada de alimentación de 14 a 18 VCC
  7. Salida de alimentación de 14 a 18 VCC
  8. Salida RF A
  9. Entrada RF, antena A
  10. Interruptor de energía eléctrica
- Nota: Depende del país

1. Connettore di antenne A
  2. Spia di alimentazione
  3. Connettor di antenne B
  4. Ingresso RF, antenne B
  5. Uscita RF B
  6. Ingresso dell'alimentazione di 14 a 18 VCC
  7. Uscita dell'alimentazione di 14 a 18 VCC
  8. Uscita RF A
  9. Ingresso RF, antenne A
  10. interruttore di alimentazione
- Nota: Dipende dal Paese

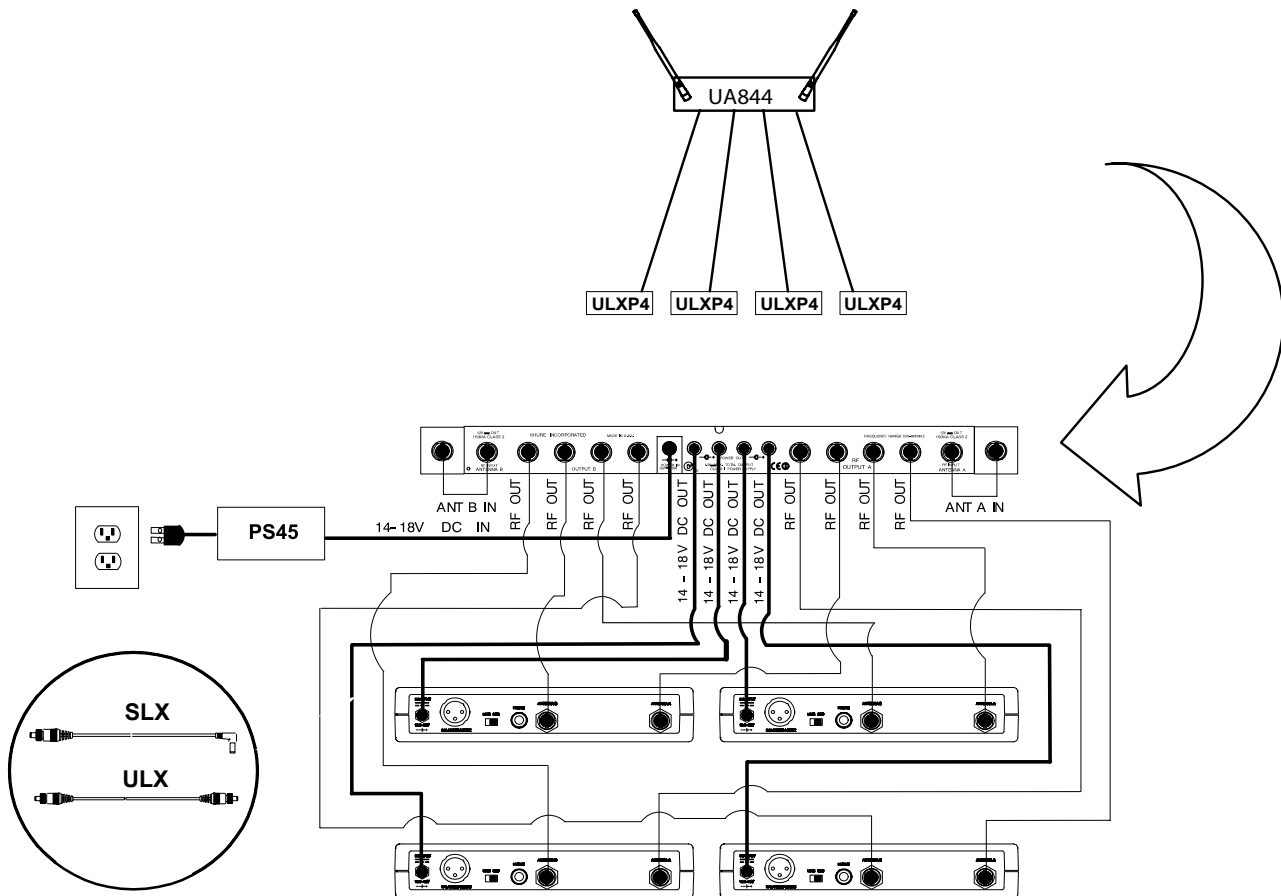
1. Conector de antena A
  2. Indicador de alimentação
  3. Conector de antena B
  4. Conector de entrada RF, antena B
  5. Conectores de saída RF B
  6. Conector de entrada de alimentação de 14 a 18 Vc.c.
  7. Conector de saída de alimentação de 14 a 18 Vc.c
  8. Conectores de saída RF A
  9. Conector de entrada RF, antena A
  10. Interruptor Liga/Desliga.
- Nota: Depende do País

1. アンテナ A コネクタ
  2. 電源インジケータ
  3. アンテナ B コネクタ
  4. RF 入力端子、アンテナ B
  5. RF 出力 B コネクタ
  6. DC 14 ~ 18 V 電源入力端子
  7. DC 14 ~ 18 V 電源出力端子
  8. RF 出力 A コネクタ
  9. RF 入力端子、アンテナ A
  10. 電源スイッチ
- 注: 国の扶養家族

INSTALLATION INSTALACIÓN INSTALLAZIONE INSTALAÇÃO 取付方法



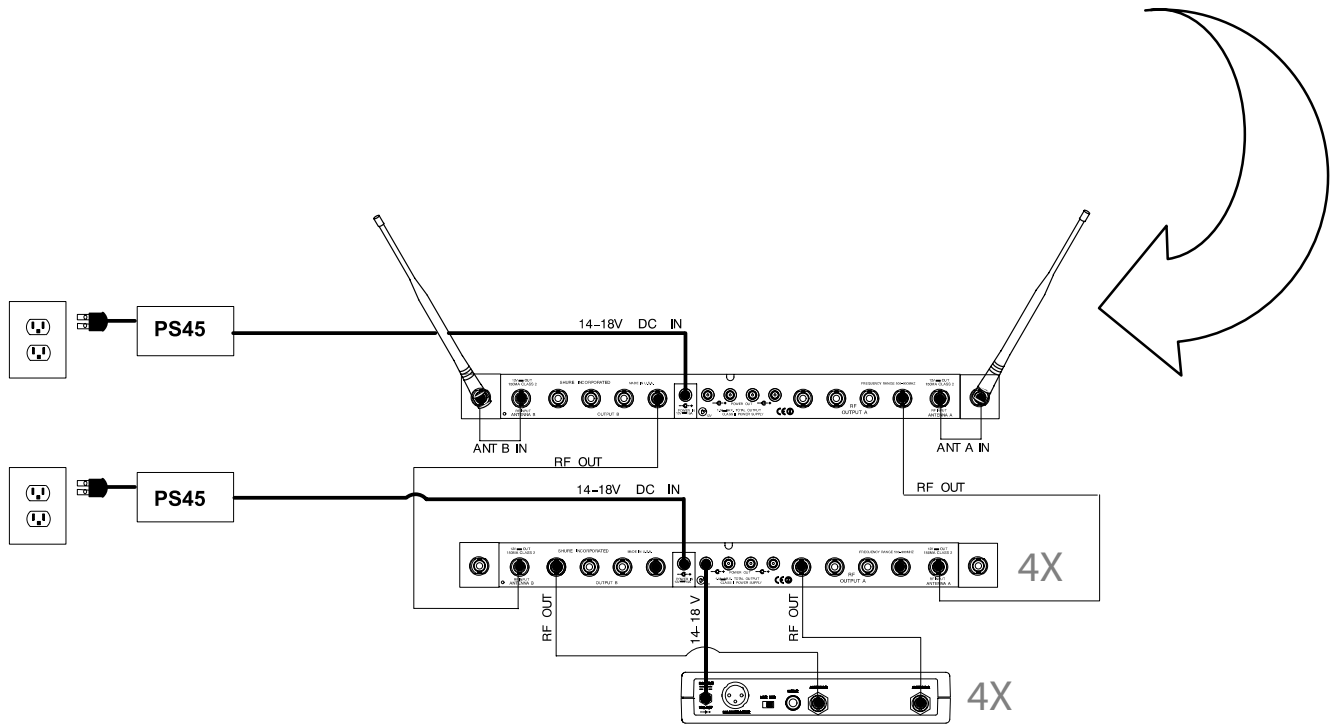
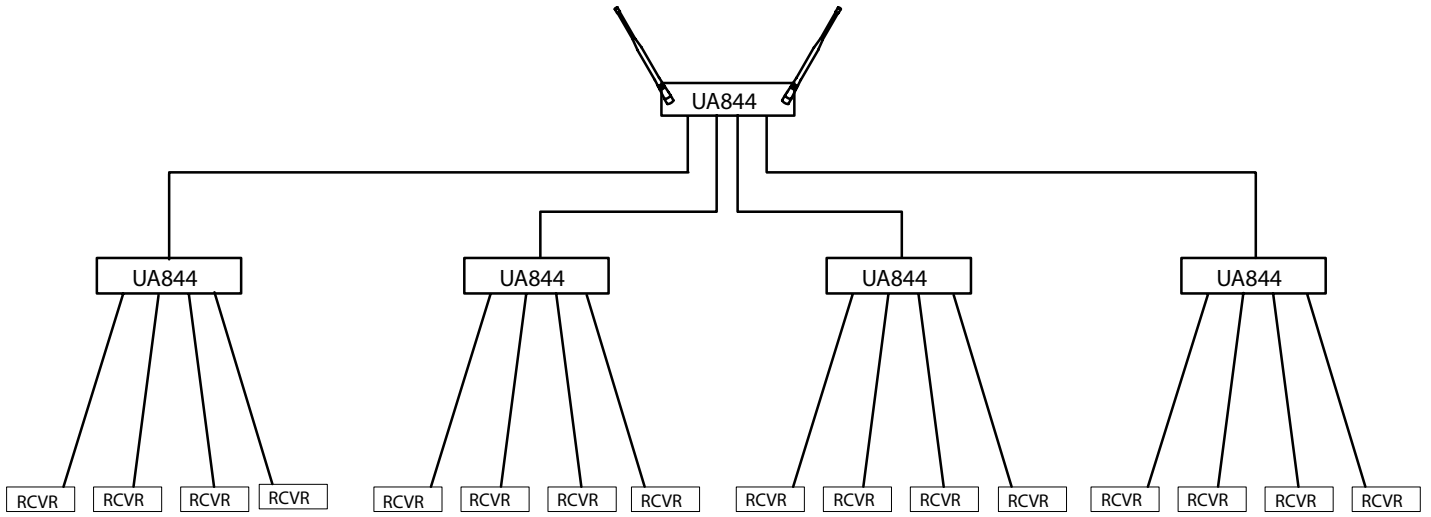
CABLE CONNECTIONS, ONE UA844    BRANCHMENTS DU CÂBLE, UN UA844    KABELVERBINDUNGEN, EIN UA844  
 CONEXIONES DE CABLE, UNUA844    COLLEGAMENTI DI CAVO, UN UA844    CONEXÕES DE CABO, UM UA844  
 ケーブルの接続方法, 1 UA844



CABLE CONNECTIONS, MULTIPLE UA844 SYSTEMS  
 KABEL VERBINDUNGEN, MEHRFACHE UA844 SYSTEME  
 COLLEGAMENTI DI CAVO, SISTEMI UA844 MULTIPLI

BRANCHMENTS DU CÂBLE, SYSTÈMES MULTIPLES  
 CONEXIONES DE CABLE, SISTEMAS UA844 MÚLTIPLES  
 CONEXÕES DE CABO, SISTEMAS UA844 MÚLTIPLOS

ケーブルの接続方法 (複数システム用)





**United States, Canada, Latin  
America, Caribbean:**

Shure Incorporated  
5800 West Touhy Avenue  
Niles, IL 60714-4608 USA

Phone: 847-600-2000  
Fax: 847-600-1212 (USA)  
Fax: 847-600-6446  
Email: [info@shure.com](mailto:info@shure.com)

**Europe, Middle East, Africa:**

Shure Europe GmbH  
Wannenäckestr. 28,  
74078 Heilbronn, Germany

Phone: 49-7131-72140  
Fax: 49-7131-721414  
Email: [info@shure.de](mailto:info@shure.de)

**Asia, Pacific:**

Shure Asia Limited  
22/F, 625 King's Road  
North Point, Island East  
Hong Kong

Phone: 852-2893-4290  
Fax: 852-2893-4055  
Email: [info@shure.com.hk](mailto:info@shure.com.hk)